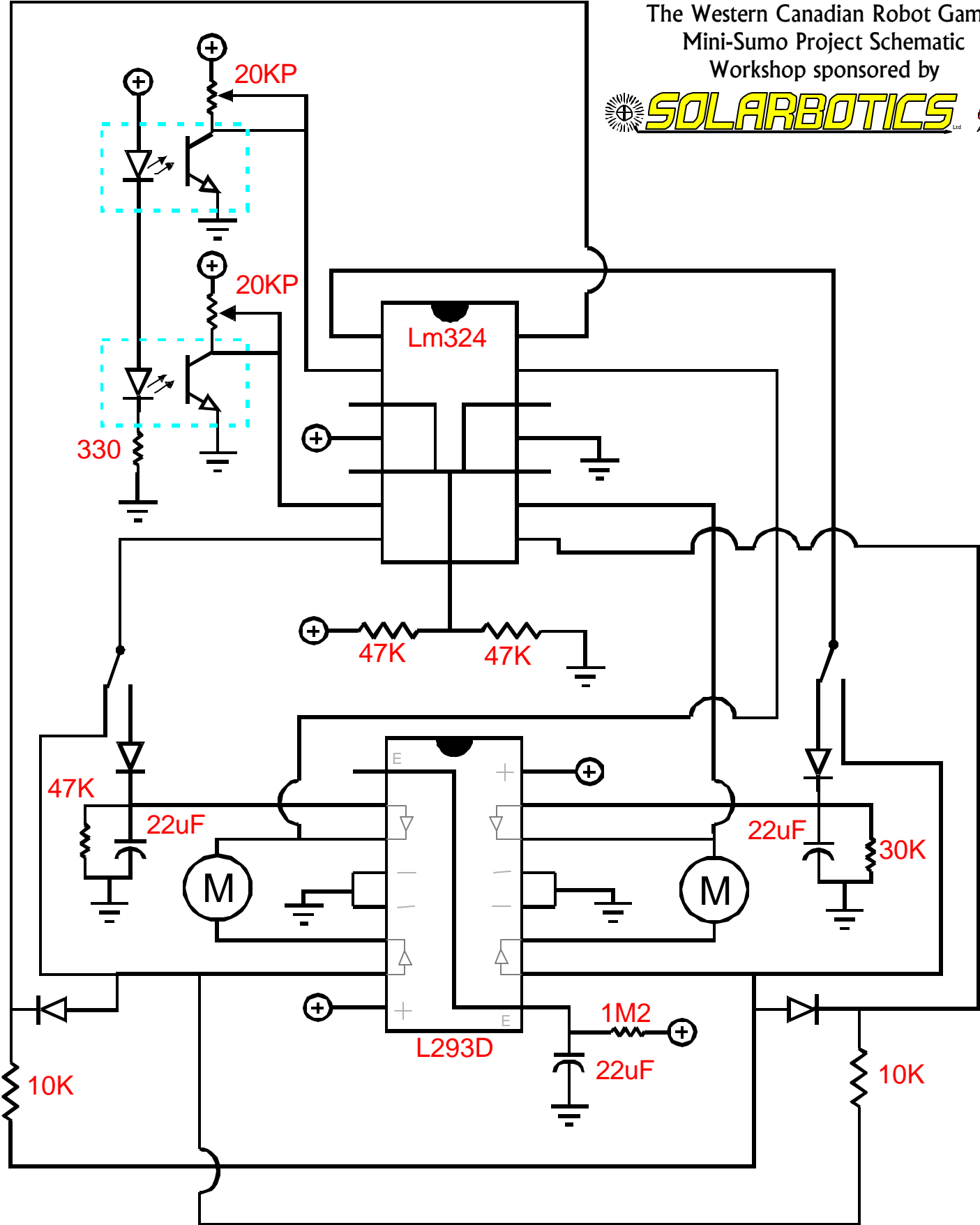


Schematic - Core Circuit

The Western Canadian Robot Games
Mini-Sumo Project Schematic
Workshop sponsored by



Schematic - Support Circuits

