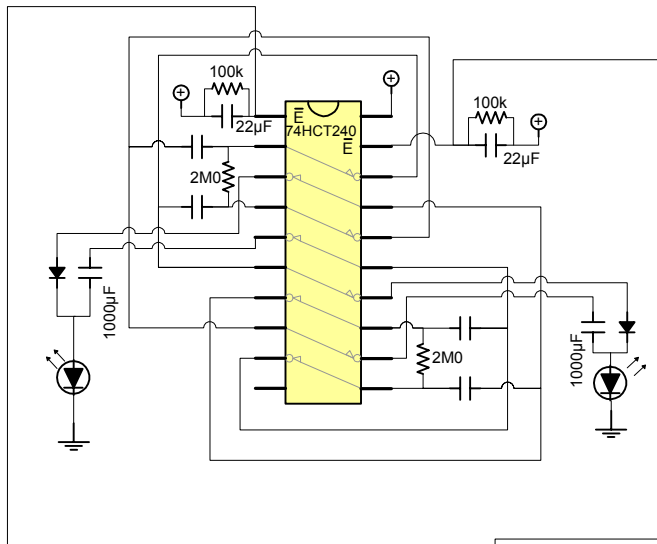
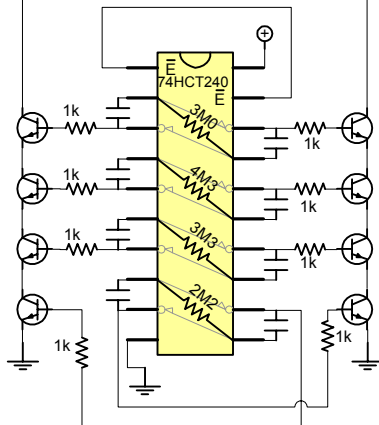


Dark Turn-on Circuit



Dual Pummer Circuit



All capacitors are 0.22µF unless otherwise noted

NPN Transistors (3904/2n2222)

Dual QuadCore with 4-input AND Gate Pseudo-Random Chaos Generator

Note: Use germanium diodes for best performance