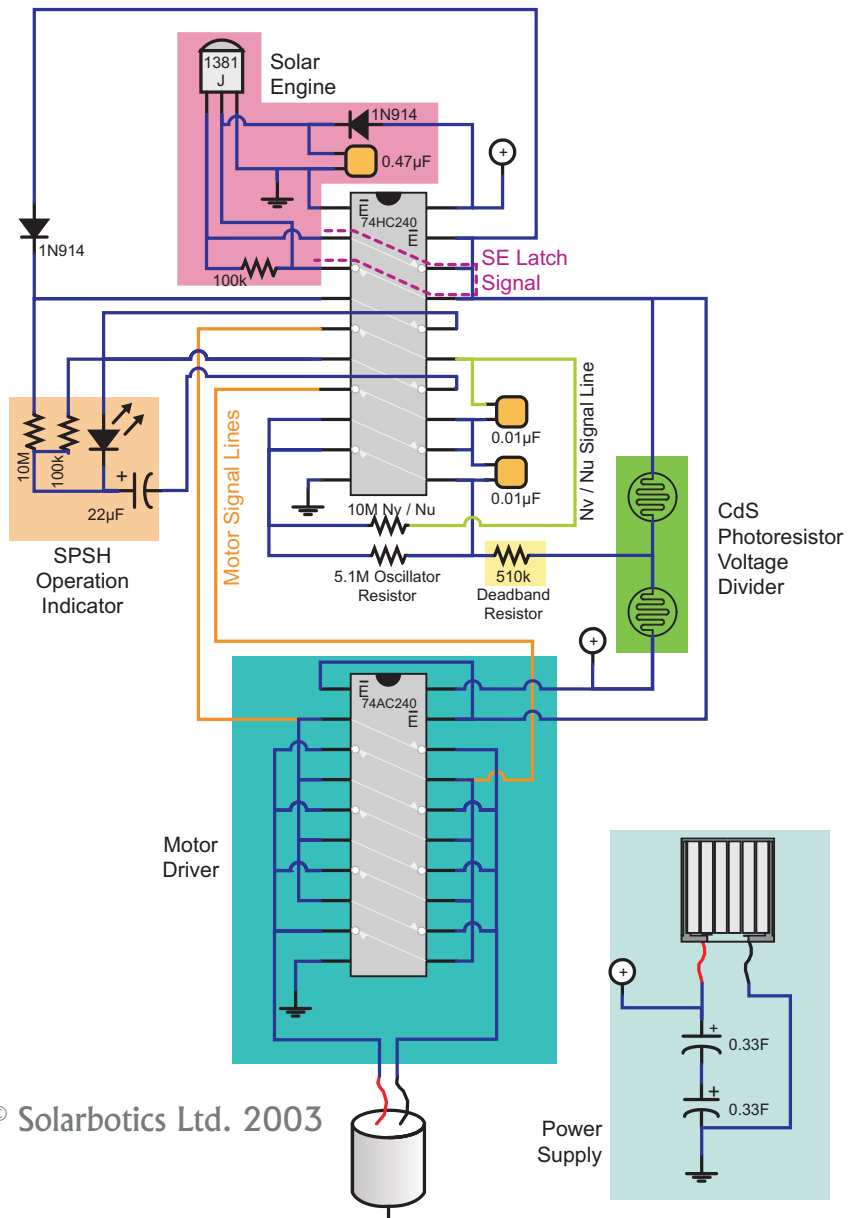


Bicore Experimenter's PCB Application #3:
The Wilf Rigger Solar Power Smart Head ver. 3



© Solarbotics Ltd. 2003